

Product Information

FLUSH DEVICE PITCHER RINSER WITH DRAINER

Code: TR105

Material: 304 stainless steel

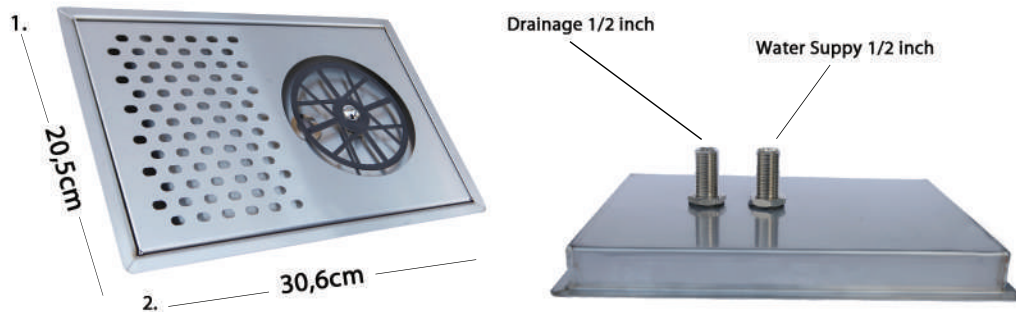
Dimensions: 31x20.5x3Ycm

Inlet: Water Inlet is 1/2

On most coffee shops and bars, washing bostons and milk pitchers is a process repeated multiple times a day. The pitcher rinsers require a mains water in and a drain out connection.

Read and keep this maual to ensure the safety use of the device

Installation Instructions



For the placement cut the bench in the size 1 and 2 according to the picture (20.5x31x3Ycm)

Parts of Pitcher Rinser Mechanism



1. Flanges



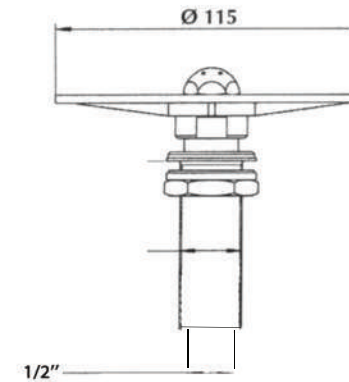
2. Pistons



3. Springs



4. Pitcher Rinser Mechanism



Any size jug from 50ml to a 2 Litre size jug can be cleaned in this way. Just place it upside-down and push! Easy, fast and clean!